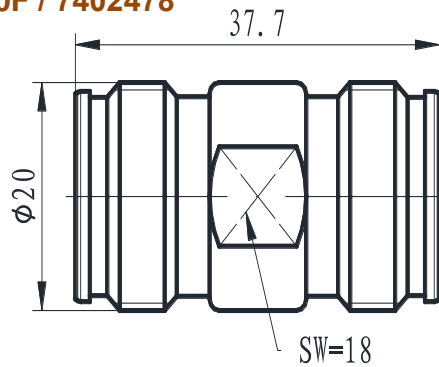


Product Specification

LAD 4310F-4310F / 7402478



4.3-10 straight female to 4.3-10 straight female adapter

Material and Plating

Center contact	Tin-bronze/Silver Plated
Outer contact	Brass/Silver Plated
Body	Brass/Silver Plated
Dielectric	PTFE

Electrical Specifications

Characteristics Impedance	50 Ohm
Frequency Range	DC~6GHz
Insulation Resistance	$\geq 10000\text{M}\Omega$
Dielectric Withstanding Voltage	2500V rms
Operating Voltage	1400V rms
Contact resistance	4.3-10 type
Center contact resistance	$\leq 1.5\text{ m}\Omega$
Outer contact resistance	$\leq 1.5\text{ m}\Omega$
Insertion Loss	@DC-3 GHz $\leq 0.10\text{dB}$
VSWR	@DC-3 GHz ≤ 1.10
PIM3(2*43dBm)	$\leq -160\text{dBc}$

Environmental & Mechanical Specifications

Durability (matings)	≥ 500 cycles
Mechanical Shock Test Method	MIL-STD-202, Method 213, Test Condition D
Vibration Test Method	MIL-STD-202, Meth. 204, Cond. A
Temperature Range	-65°C to $+165^{\circ}\text{C}$
RoHS	Compliant

Regulatory Compliance / Certification

ISO 9001:2015	Compliant
---------------	-----------

The facts and figures contained herein are carefully compiled to the best of our knowledge, but they are intended for general informational purposes only.